

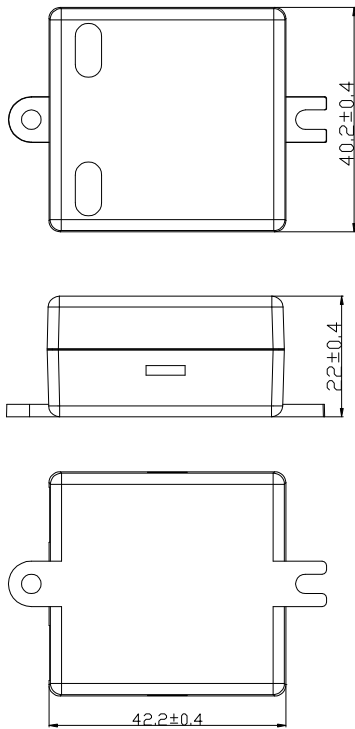
TDC Power Products Co.,Ltd
Cheng Yen Electronic Co.,Ltd

SC1E-120-0420

INPUT VOLTAGE : 200-240VAC
OUTPUT VOLTAGE : 12VDC

LED POWER SUPPLY SPECIFICATION REV:A

Drawing:



ELECTRONICAL SPECIFICATION

INPUT VOLTAGE : 200-240 Vac INPUT RANGE VOLTAGE 180-264 Vac
INPUT FREQUENCY : 50 Hz
INPUT CURRENT : 0.15 Amp. rms. at 200 Vac
INRUSH CURRENT : 5 Amp. peak at 200 Vac
6 Amp. peak at 240 Vac
Tested At Max. load 25°C , Cool state

OUTPUT VOLTAGE : 12 V
REGULATION : ±5 %
MIN. LOAD CURRENT : 0 A
MAX. LOAD CURRENT : 0.42 A
LOW POWER FACTOR

RIPPLE AND NOISE : 200 mVp-p Max. At 200 Vac, 50 Hz, Max. load 25°C
NOISE TEST BANDWIDTH : 20 MHz

Each output bypassed by a 10uF electrolytic capacitor parallel with a 0.1uF ceramic capacitor to GND.

LINE REGULATION : INPUT = 200 - 240 Vac,output loaded at Max. load.
REGULATION = ±5 %

TOTAL OUTPUT : 5 W
POWER EFFICIENCY : 62% Min. at 200-240 Vac 50 Hz, Max. load.
OVER CURRENT PROTECTION , SHORT CIRCUIT PROTECTION
OVER POWER PROTECTION : 18 W
OVER VOLTAGE PROTECTION : 15 Vdc Max.

MECHANICAL SPECIFICATION

DIMENSIONS: 42.2 (L) * 40.2 (W) * 22(H)mm (Tolerance as drawing)
WEIGHT: 45 g Max.
OPERATING TEMPERATURE: 0°C To 50°C
STORAGE TEMPERATURE: -20°C To 60°C
RELATIVE TEMPERATURE: 40°C ± 2°C
MTBF: 50,000 hrs to MIL-HDBK-217F Warranty: 2 years

Input Cable : TERMINAL

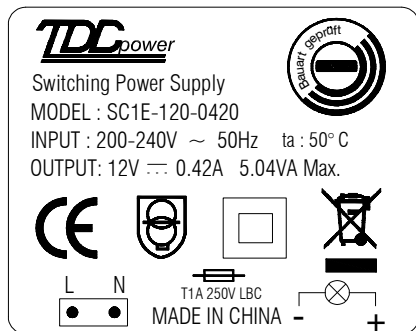
Output Cable : TERMINAL

STANDARD

Safty:EN61558-1,EN61558-2-17. EMC:EN55014-1,EN55014-2,EN61000-3-2,EN61000-3-3.
RELATIVE HUMIDITY 85% RH. Non-condensing

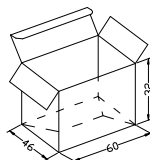
LABEL:

SIZE:35.5*28.5mm

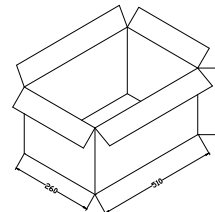


INNER BOX:

Material: WEB
BOX:60*46*32mm



CARTON:510*260*180mm



Material: K=A No Nail
Q'TY 200 PCS
N.W. : 8 KGS
G.W.: 9.1 KGS
MEAS: 0.85 CUFT

PHOTO

