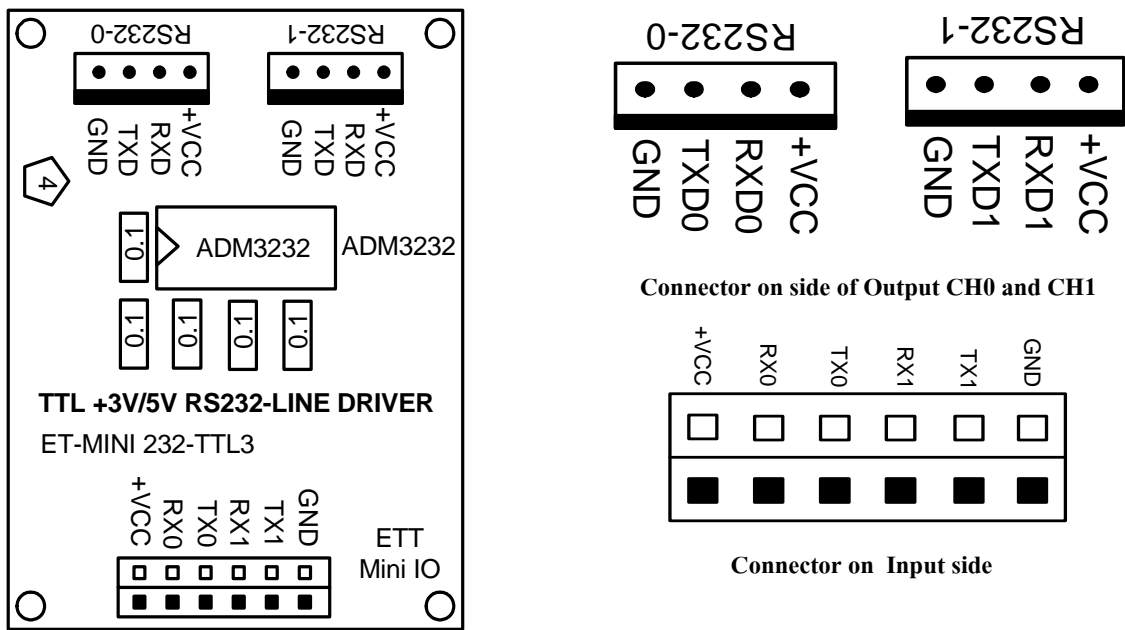
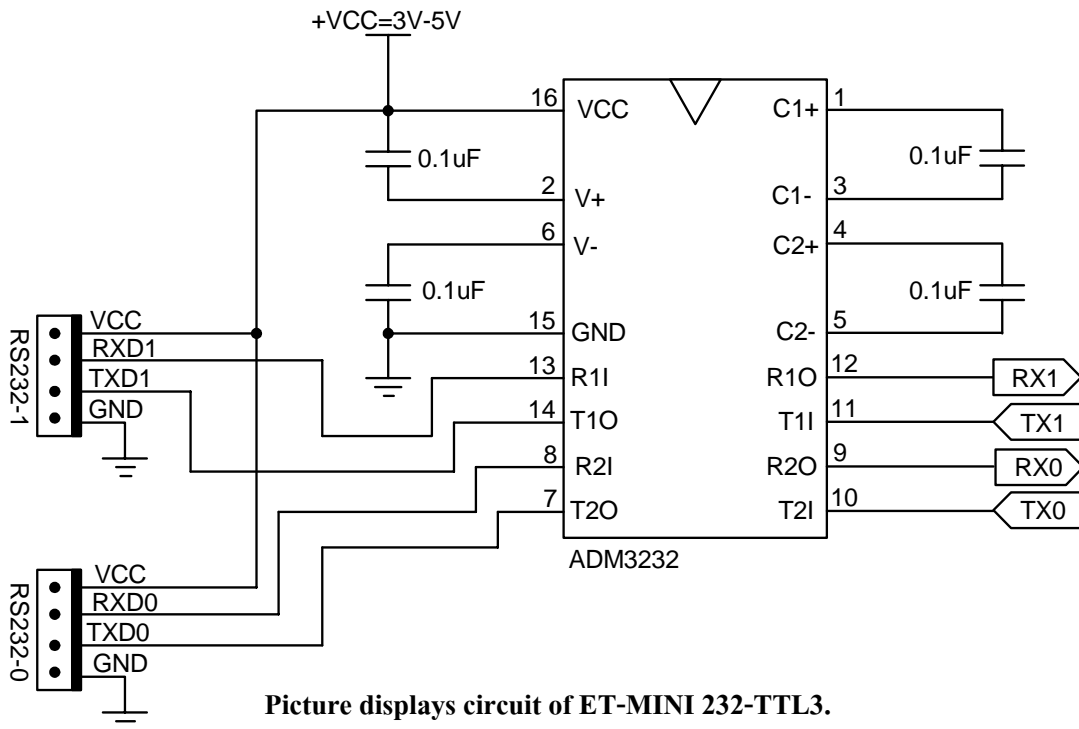


**ET-MINI 232-TTL3**

Module ET-MINI 232-TTL3 which is RS232 Communication Line Driver uses 3V-5V power supply. It transforms TTL signal of MCU into RS232(±12V). There's 2 channels for using. Firstly, Connector on Input side, must interface Tx PIN and Rx PIN with Tx PIN and Rx PIN of MCU respectively. User must interface Tx PIN and Rx PIN in the same channel (Tx0:Rx0, Tx1:Rx1). In the part of +VCC PIN and GND PIN, must interface with power supply of MCU. Secondly, Connector on Output side, uses the same channel as Input side and then interfaces Rx PIN with Tx PIN and interfaces Tx PIN with Rx PIN of communicate device. Finally, interfaces GND PIN with GND PIN of communicate device but in the part of +VCC, does not interface its.



Picture displays structure of ET-MINI 232-TTL3 and Port PIN position.



Picture displays circuit of ET-MINI 232-TTL3.