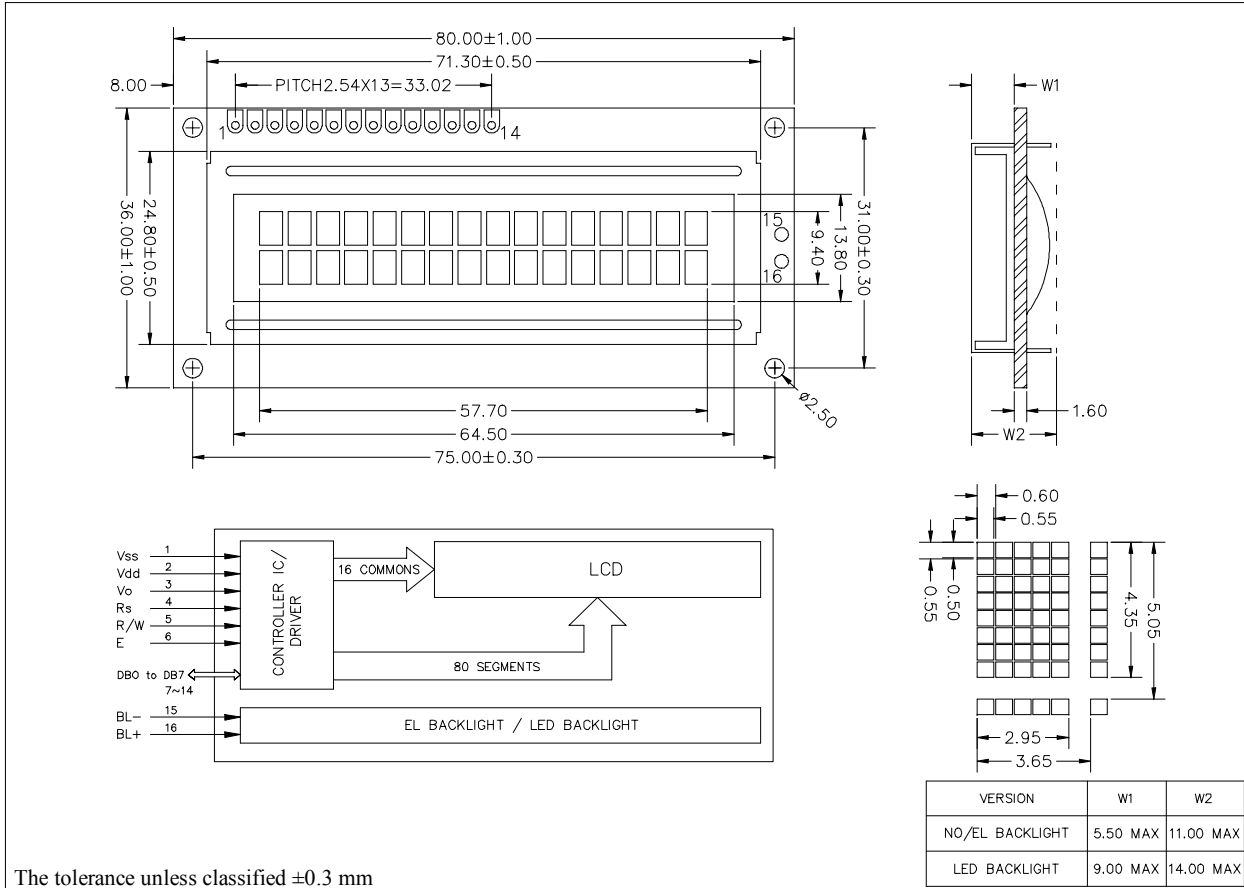


STANDARD CHARACTER MODULES

CMC216x02 OUTLINE DIMENSION AND BLOCK DIAGRAM

REF.NO.: CCTC0040-03



The tolerance unless classified ± 0.3 mm

PIN ASSIGNMENT

Pin No.	Symbol	Function
1	Vss	Ground Terminal
2	Vdd	Supply Terminal
3	Vo	Power Supply for LCD driver
4	RS	Register Select Signal
5	R/W	Read/Write Selection
6	E	Enable Signal
7	DB0	Data Bus Line
8	DB1	Data Bus Line
9	DB2	Data Bus Line
10	DB3	Data Bus Line
11	DB4	Data Bus Line
12	DB5	Data Bus Line
13	DB6	Data Bus Line
14	DB7	Data Bus Line
15	BL-	Led Backlight Ground
16	BL+	Led Backlight Power Supply

ABSOLUTE MAXIMUM RATING

Item	Symbol	Conditions	Min.	Max.	Unit
Power Supply Voltage	Vdd-Vss	-	-0.3	7.0	V
Input Voltage	Vin	-	Vss	Vdd	V
Operation Temperature	Topr	Nor	0	50	°C
Storage Temperature	Tstg	Nor	-20	70	°C

ELECTRICAL CHARACTERISTIC (Vdd = + 5v, Ta = 25°C)

Item	Symbol	Conditions	Min.	Typ.	Max.	Unit
Logic Supply Voltage	Vdd	-	2.75	-	5.5	V
"H" Input Voltage	Vin	-	0.7Vdd	-	Vdd	V
"L" Input Voltage	Vin	-	-0.3	-	0.4	V
"H" Output Voltage	Voh	-	2.0	-	-	V
"L" Output Voltage	Vol	-	-	-	0.4	V
Module Supply Current	Idd	-	-	1.0	2.0	mA
LCD Driving Voltage	Vlcd	Vdd-Vo	-	4.5	-	V

CCT reserves the right to vary or makes changes to the specifications of the module in this brochure at any time without prior notice. CCT further assumes no responsibility for its use, nor for any infringements of patents, pending applications or the rights of thirds parties which may results its use.